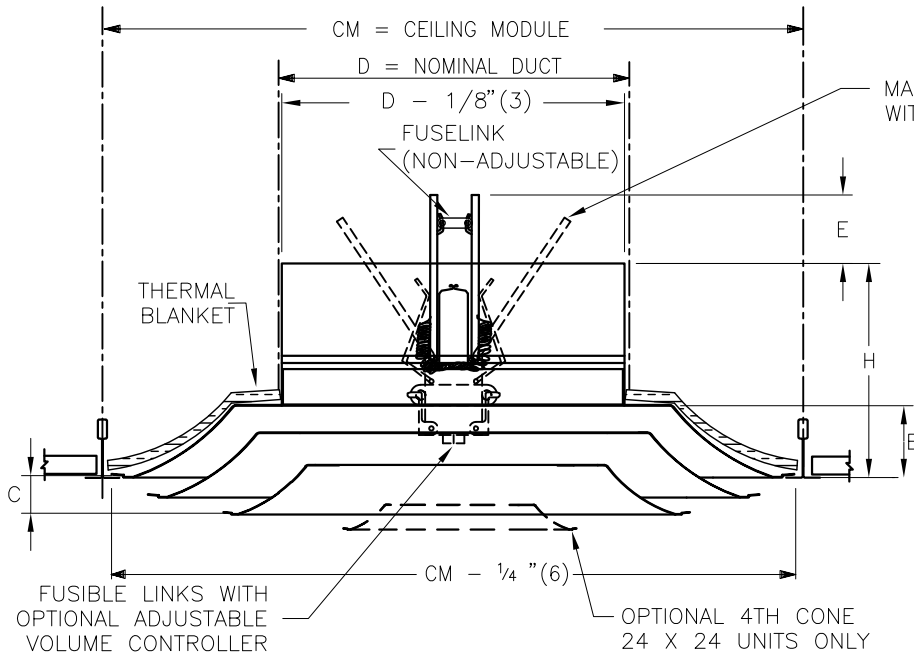
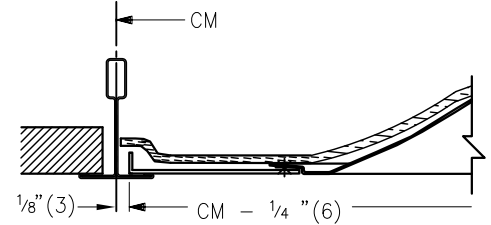


SCD-FR SQUARE CONE DIFFUSER FIRE RATED ASSEMBLY



MAX. OPEN POSITION DAMPER BLADES WITH OPTIONAL VOLUME CONTROLLER

3P T-BAR PANEL



DIFFUSER SIZE	CM=NOM. PANEL SIZE	MODULES	
12X12	300x300		
<input type="checkbox"/>	24X12	600X300	
<input type="checkbox"/>	20X20 24X24	500x500 600X600	

IMPERIAL UNITS (Inches)

	CM	B	C	H	DUCT SIZE
<input type="checkbox"/>	24x24	2½	1⅙	6⅑/16	6,8,10,12,14,15
<input type="checkbox"/>	20X20	2½	½	6⅑/16	6,8,10
<input type="checkbox"/>	12x12	1⅙	1⅙	5⅓/16	5,6,7,8

SI UNITS (mm)

	CM	B	C	H	DUCT SIZE
<input type="checkbox"/>	600x600	64	27	167	152,203,254,305,356,381
<input type="checkbox"/>	500x500	64	13	167	152,203,254
<input type="checkbox"/>	300x300	29	27	132	127,152,178,203

ROUND NECK	
NOM. DUCT	E
5 (127)	½ (13)
6 (152)	1 (25)
7 (178)	1½ (51)
8 (203)	2 (51)
10 (254)	3 (76)
12 (305)	4 (102)
14 (356)	5 (127)
15 (381)	5½ (140)

MATERIAL:

- STEEL CONSTRUCTION
- CEILING RADIATION DAMPER: GALVANIZED STEEL, BUTTERFLY TYPE
- THERMAL BLANKET: NON ASBESTOS

FINISH:

- B12 WHITE (OPTIONAL FINISHES AVAILABLE)

OPTION:

- ADJUSTABLE VOLUME CONTROLLER (ALLEN KEY ADJUSTABLE)
- 165°F (74°C) FUSIBLE LINK (STANDARD)
- 212°F (100°C) FUSIBLE LINK

NOTE:

- FIRE RATED 3 HOUR.
- UL CLASSIFIED FIRE RATED CEILING DIFFUSER ASSEMBLY. LISTED IN UNDERWRITERS LABORATORIES FIRE RESISTANCE DIRECTORY.
- ULC CLASSIFIED FIRE RATED CEILING DIFFUSER ASSEMBLY. LISTED IN UNDERWRITERS OF CANADA LABORATORIES LIST OF EQUIPMENT AND MATERIALS.
- DUCT: STEEL OR FLEXIBLE DUCT CONNECTIONS (BY OTHERS) AS PER FIRE RATED DESIGN REQUIREMENTS.
- INSTALLATION INSTRUCTIONS: 228791 OR FOR PANEL SEE SUBMITTAL 233667
- FIRE RATED DIFFUSERS ARE TO BE INSTALLED IN FIRE RATED T-BAR APPLICATIONS ONLY.

ALL METRIC DIMENSIONS () ARE SOFT CONVERTED. IMPERIAL DIMENSIONS ARE CONVERTED TO METRIC AND ROUNDED TO THE NEAREST MILLIMETER.



PROJECT:		PRICE®	
ENGINEER:			SCD-FR SQUARE CONE DIFFUSER FIRE RATED ASSEMBLY
CUSTOMER:		228719	
SUBMITTAL DATE:	SPEC. SYMBOL:	2015/03/31	